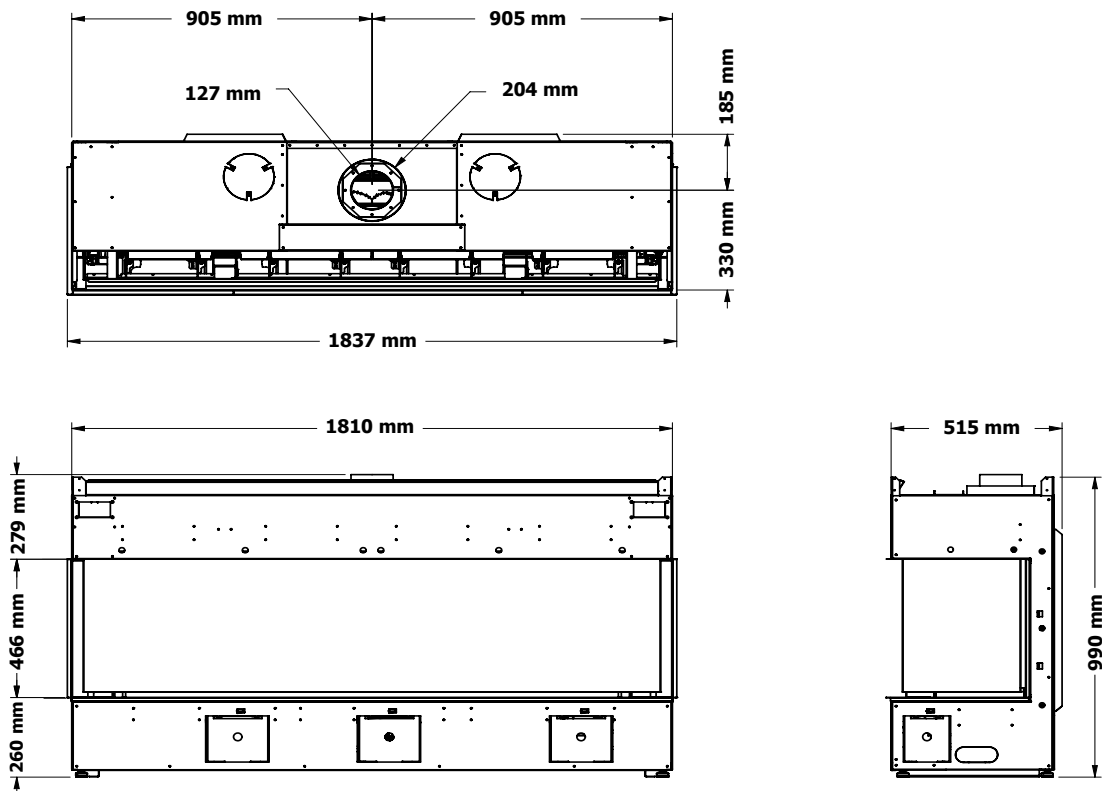


## City Series ACB60E Direct Vent Gas Fireplace

Model	ACB60E-NG	ACB60E-LP	ACB60E-ULP
Fuel	Natural Gas	Propane	Propane
Gas Consumption-High	41.1 MJ/h	38 MJ/h	34 MJ/h
Gas Consumption-Low	23.1 MJ/h	19.4 MJ/h	17 MJ/h
Min. Supply Pressure	1.13 kPa	2.75 kPa	2.75 kPa
Manifold Pressure High	0.98 kPa	2.62 kPa	2.62 kPa
Manifold Pressure Low	0.32 kPa	0.63 kPa	0.63 kPa
Injector Size	# 32 (2.95 mm)	1.80 mm	# 52 (1.61 mm)



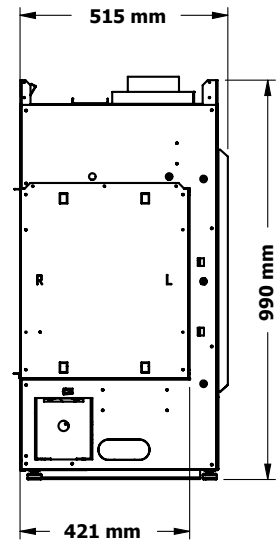
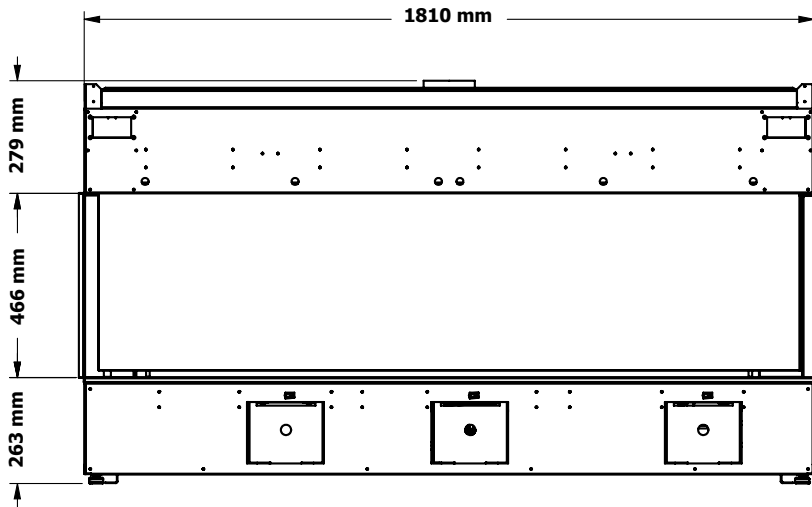
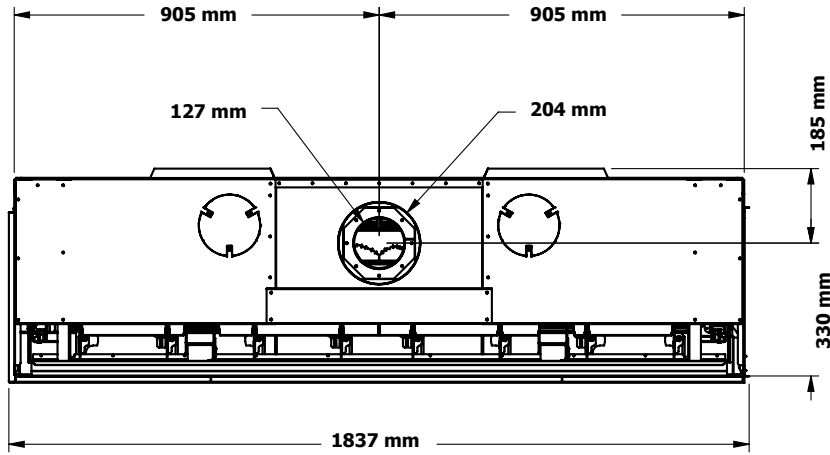
### DIMENSIONS - BAY INSTALL



Note: Height dimension is taken with leveling legs fully inserted. Height may vary depending on the length of the leveling legs when unscrewed or extended.

**Note: These units are non load bearing.**

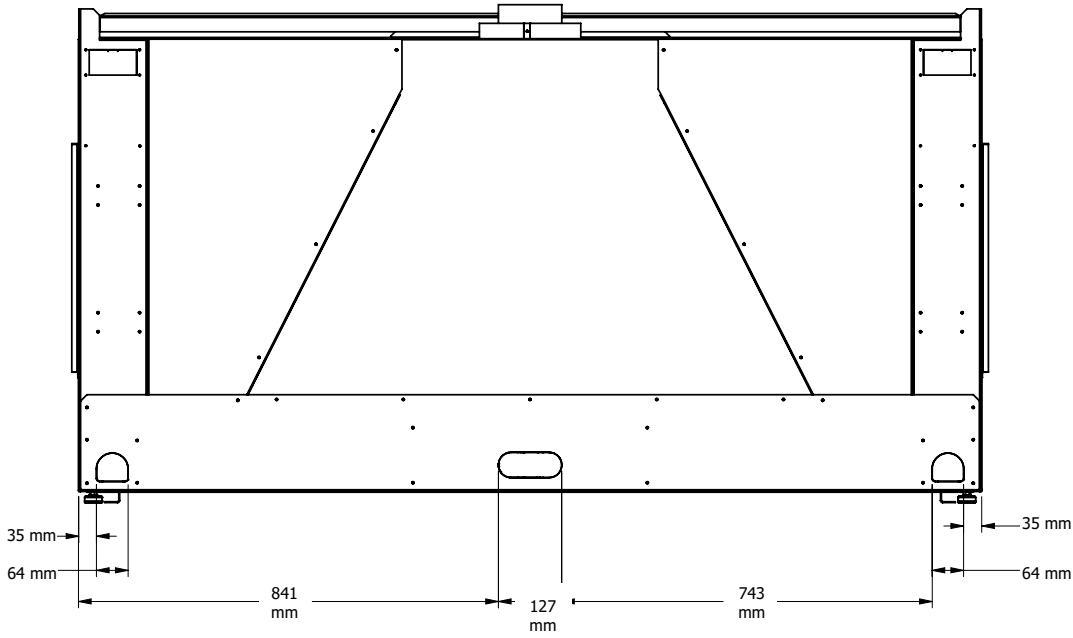
## DIMENSIONS - CORNER INSTALL



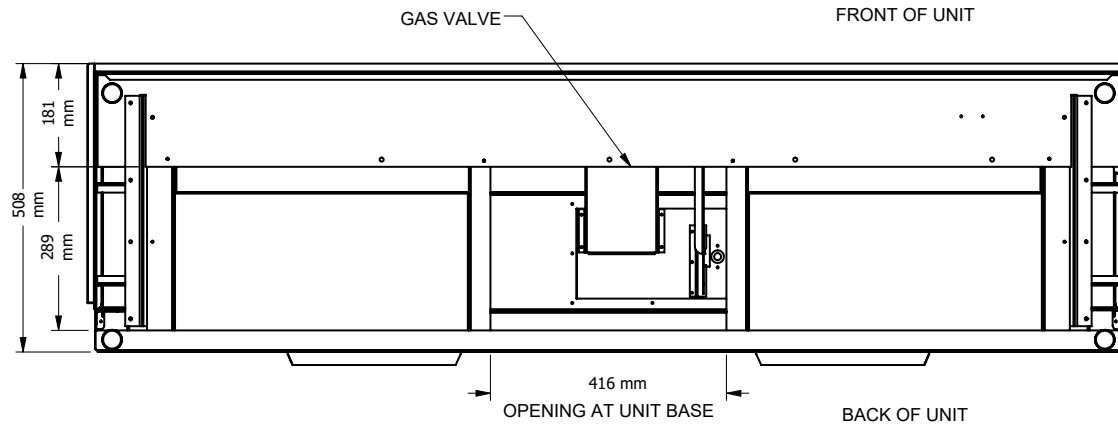
Note: Height dimension is taken with leveling legs fully inserted. Height may vary depending on the length of the leveling legs when unscrewed or extended.

**Note: These units are non load bearing.**

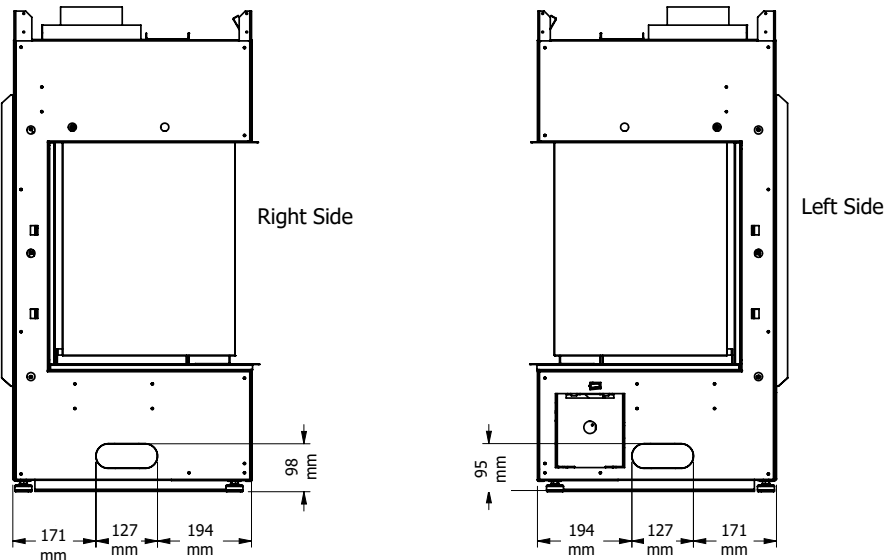
**Gas Connection - Back of Unit**



**Gas Connection - Bottom of Unit**

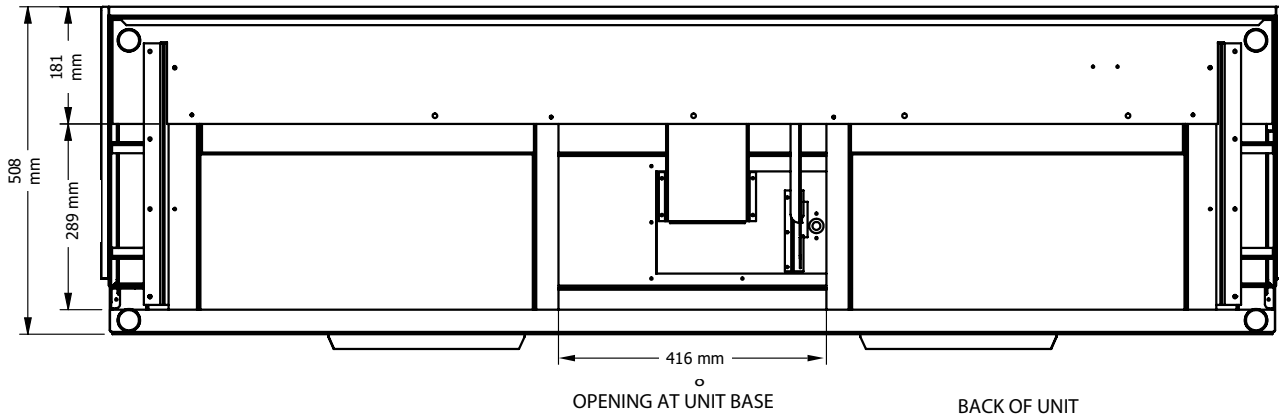


**Gas Connection - Side of Unit**

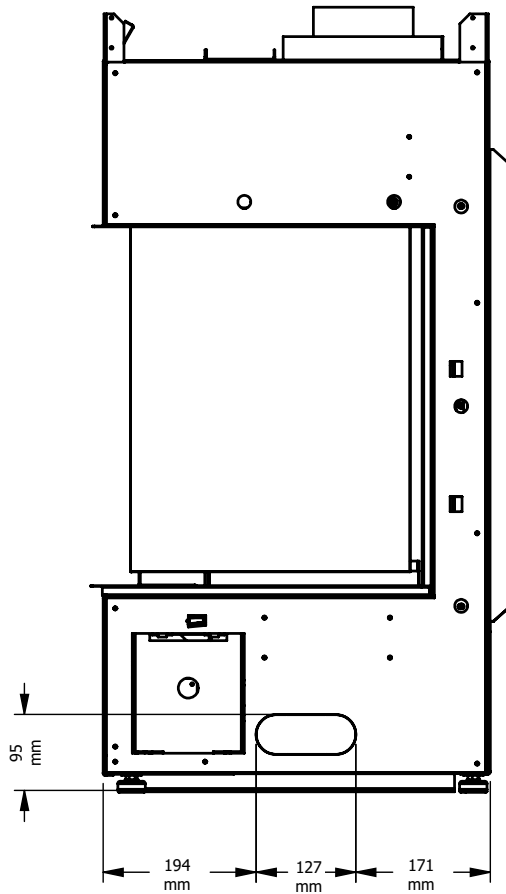


**Electrical Connection - Bottom of Unit**

FRONT OF UNIT



**Electrical Connection - Side of Unit**



RIGHT SIDE

## Ventilation Openings (Three-sided/Bay Installation)

**NOTE** For right/left two-sided corner, see next page.

Regency's patented Cool Wall system releases warmth at ceiling level. This system reduces excessive radiant heat in front of the fireplace so you can enjoy your fireplace more often.

- Design your own chase vent solution to suit your home
- Use optional front or left & right side chase vent grills
- Release warmth into the room discreetly

### Ventilation Opening Locations

The following are examples of how the ventilation openings may be placed above the fireplace.

The air travelling through the heat exchanger is heated by the fireplace and then directed out the back of the fireplace. The combined warmed air is then vented back into the room.

If using the optional heat wave kit, this does not reduce the size of the ventilation opening. The ventilation opening(s) must be a minimum 1161cm<sup>2</sup> regardless.

#### Front Exit

The ventilation opening may be placed in front ensuring it meets the 1161cm<sup>2</sup> opening & is located 0 - 51mm from the enclosure ceiling.



#### Side Exit (Left/Right)

Ventilation openings, when placed on both sides, must be of the same size. They must have an equal split (50/50) free air opening to balance air flow. A ventilation opening may never be on one side only. The ventilation openings cannot be any smaller than 152mm wide to equal the total area of 1161cm<sup>2</sup> of free open area.

The ventilation openings must be located 0 - 51mm from the enclosure ceiling.



#### Top Exit

The ventilation opening may be short of the ceiling as shown below. Minimum opening height must be 44mm measured from top of enclosure to the ceiling and must be in open in front and both sides to meet the minimum 1161cm<sup>2</sup> free open air requirement.



The ventilation opening may be fully open at the top of the enclosure. This type of ventilation opening would be used when the top of the enclosure is not visible from above and where the ceiling within the room is higher than normal. When creating this type of ventilation opening, measures should be in place to avoid having objects of any type falling or be thrown into the ventilation opening. Mesh screen or other preventative measures should be put into place.



The ventilation opening may be placed on top ensuring it meets the 1161cm<sup>2</sup> opening. This type of ventilation opening would be used when the top of the enclosure is visible from above and where the ceiling within the room is higher than normal.



## Ventilation Openings (Right/Left Corner)

Regency's patented Cool Wall system releases warmth at ceiling level. This system reduces excessive radiant heat in front of the fireplace so you can enjoy your fireplace more often.

- Design your own chase vent solution to suit your home
- Use optional front or left & right side chase vent grills
- Release warmth into the room discreetly

## Ventilation Opening Locations

The following are examples of how the ventilation openings may be placed above the fireplace.

The air travelling through the heat exchanger is heated by the fireplace and then directed out the back of the fireplace. The combined warmed air is then vented back into the room.

If using the optional heat wave kit, this does not reduce the size of the ventilation opening. The ventilation opening(s) must be a minimum 1161cm<sup>2</sup> regardless.



## Front Exit

The ventilation opening may be placed in front ensuring it meets the 1161cm<sup>2</sup> opening & is located 0 - 51mm from the enclosure ceiling.



## Side/Front Exit

Ventilation openings, when placed on the side, must also have the same size ventilation opening in front. They must have an equal split (50/50) free air opening to balance air flow. A ventilation opening may never be on one side only.

The side ventilation opening cannot be any smaller than 152mm wide to equal the total area of 1161cm<sup>2</sup> of free open area.

The ventilation openings must be located 0 - 51mm from the enclosure ceiling.



## Top Exit

The ventilation opening may be short of the ceiling as shown below. Minimum width/depth of chase x height measured from top of enclosure to the ceiling and must be in open in front and side to meet the minimum 1161cm<sup>2</sup> free open air requirement.



The ventilation opening may be fully open at the top of the enclosure. This type of ventilation opening would be used when the top of the enclosure is not visible from above and where the ceiling within the room is higher than normal. When creating this type of ventilation opening, measures should be into place to avoid having objects of any type falling or be thrown into the ventilation opening. Mesh screen or other preventative measures should be put into place.



The ventilation opening may be placed on top ensuring it meets the 1161cm<sup>2</sup> opening. This type of ventilation opening would be used when the top of the enclosure is visible from above and where the ceiling within the room is higher than normal.



## Chase Enclosure

When choosing to install the ventilation openings from the front or both sides, The top of the ventilation opening cannot be any lower than 0 - 51mm from the top of the chase enclosure for all installations.

Minimum height of enclosure from base of appliance is 2064mm.

A minimum 1161cm<sup>2</sup> opening in the enclosure is required to maintain safe operating temperatures. This can be achieved in a number of ways including the examples shown in this manual.

### IMPORTANT:

**Exterior wall/Alcove enclosure:** When installing into an exterior cavity or alcove enclosure (ceiling, back and sides), regardless of where appliance is placed within the home, requires the use of either plasterboard or other means such as plywood, wood studs, etc. to prevent heat from escaping anywhere above /through the enclosure other than the required grill / ventilation opening.

**Internal chase:** When installing as an internal chase framing installation ,regardless of where appliance is placed within the home, requires the use of either plasterboard or other means such as wood, on the rear wall of the chase to eliminate heat escaping into the rear wall cavity. If the chase is extended to the ceiling ,the ceiling will also need to be finished in a manner to prevent heat escaping into floor joist/attic space.

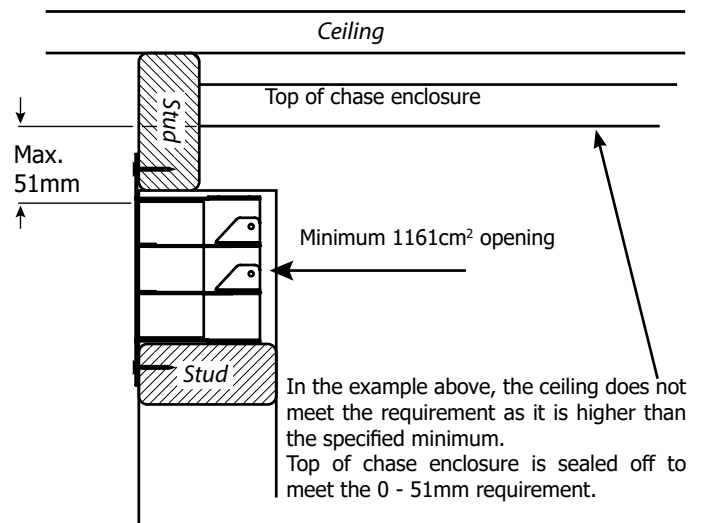
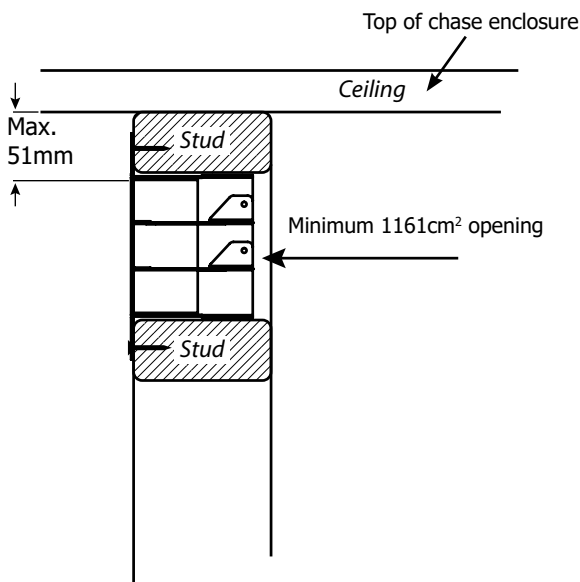
One of the following methods must be used to prevent the heat from escaping.

- If choosing plasterboard, ensure that the plasterboard is butt up tight with no gaps.
- Wood, wood studs, etc. installed tightly with no gaps.

As this appliance has been designed with all hot air escaping through the chase enclosure ventilation/grill openings only, if hot air is trapped as a result of the hot air escaping through joints, crevasses, open studs, or other openings within the enclosure above, this will change the clearances within the enclosure causing the enclosure to overheat. It is vital that all the hot air from within the enclosure exits through the ventilation openings only.

Ensure that the ventilation openings are made as such to prevent debris, objects from falling into the enclosure.

Warning: DO NOT cover or place objects in front of the ventilation opening air outlet(s).



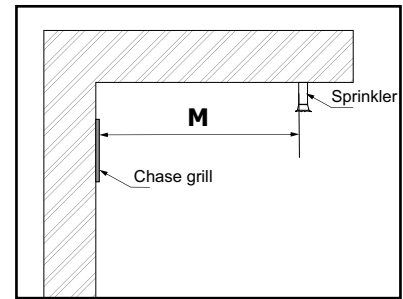
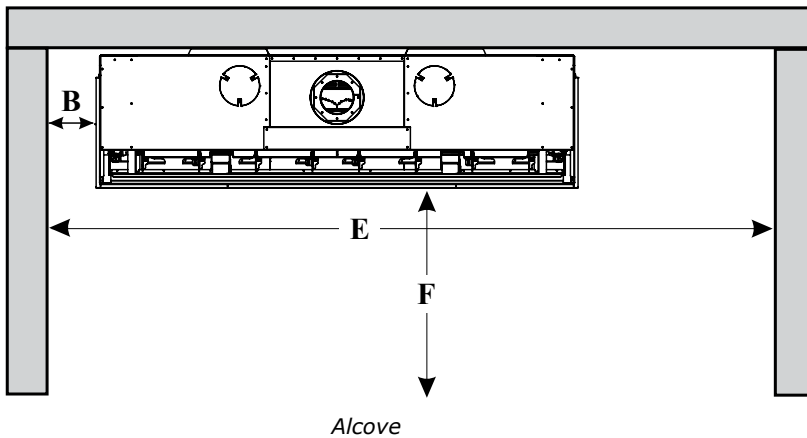
## CLEARANCES (3-SIDED)

Clearance	Dimension	Measured From:
A1: Mantel Height (min.)	**	Top of Fireplace Opening
A: From Floor (min.)	260 mm	Bottom of Fireplace Opening
B: Sidewall (on one side) min.	149 mm	Side of Fireplace Opening
C: Enclosure Width (min.)	1810 mm	Minimum inside dimensions
D: Mantel Depth (max.)	**	
E: Alcove Width	3035 mm	Sidewall to Sidewall (Minimum)
F: Alcove Depth	889 mm	Front to Unit (Maximum)
G: Convection Air Outlet Opening Offset (min.)	50 mm	Max. offset from top of chase enclosure
H: Convection Air Outlet	1161 square centimeters	
I Enclosure Depth (min.)	516 mm	Minimum inside dimensions
J: Opening Height	457 mm	Bottom/Top of Fireplace Opening
K: To Ceiling (min.) all 3 sides	44 mm	To Top of Ceiling
L: Chase Enclosure (min.)	2064 mm	From base of unit/floor to top of enclosure
M: Clearance to Sprinkler Head (min.)	914 mm	Perpendicular from chase grill
Hearth	0"	No hearth required


\*\* See mantel clearances chart in the manual.

Flue Clearances to Combustibles	
Horizontal - Top	76 mm
Horizontal - Side	51 mm
Horizontal - Bottom	51 mm
Vertical	51 mm
Passing through wall/floor/ceiling - when firestop is used.	38 mm

Note: This appliance uses 127 mm x 203 mm venting.



*Side view*



The **HeatWave** Duct Kit has different clearance and framing requirements, check the **HeatWave** manual for details.

**Caution Requirements**

The top, back and sides of the fireplace are defined by standoffs. The metal ends of the standoff may **NOT** be recessed into combustible construction.

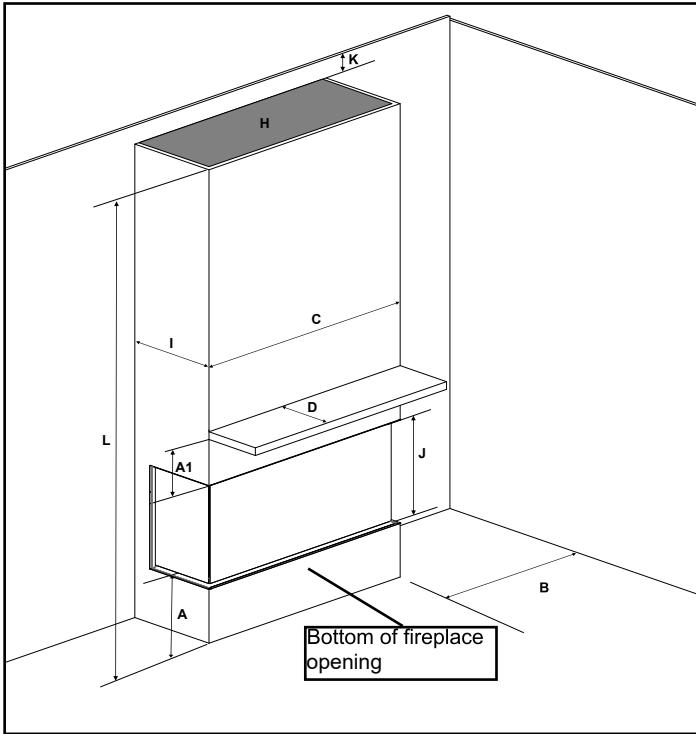
**WARNING**

**Fire hazard is an extreme risk**

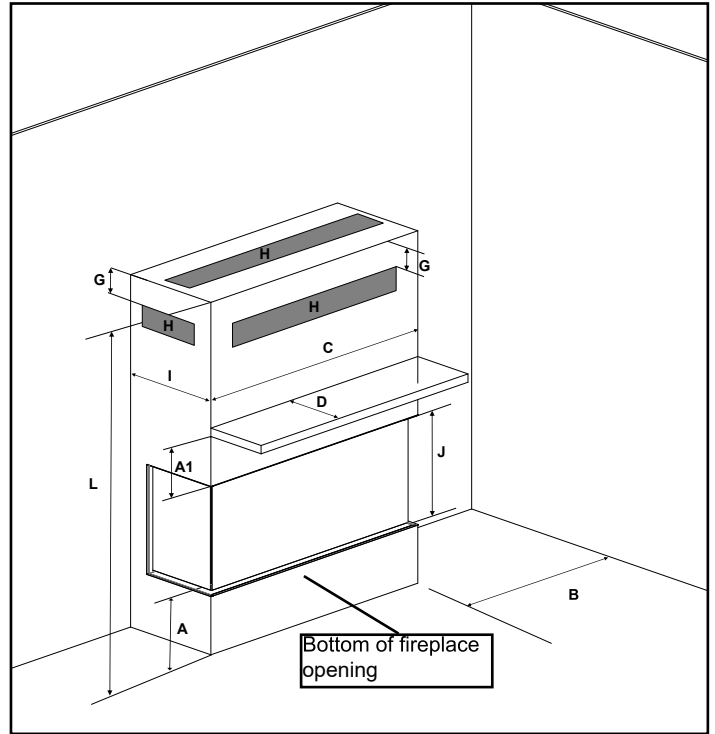
if these clearances (air space) to combustible materials are not adhered to. It is of greatest importance that this fireplace and vent system be installed only in accordance with these instructions.



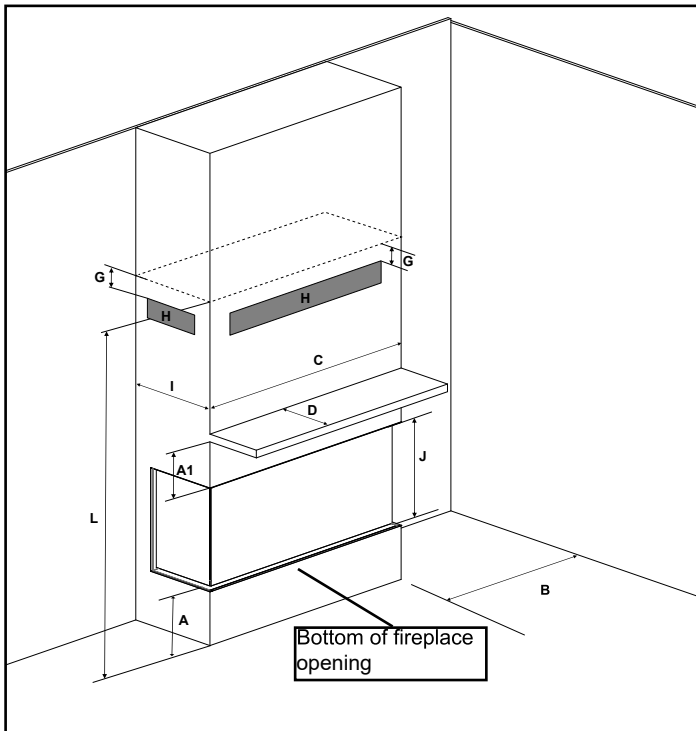
## Clearances



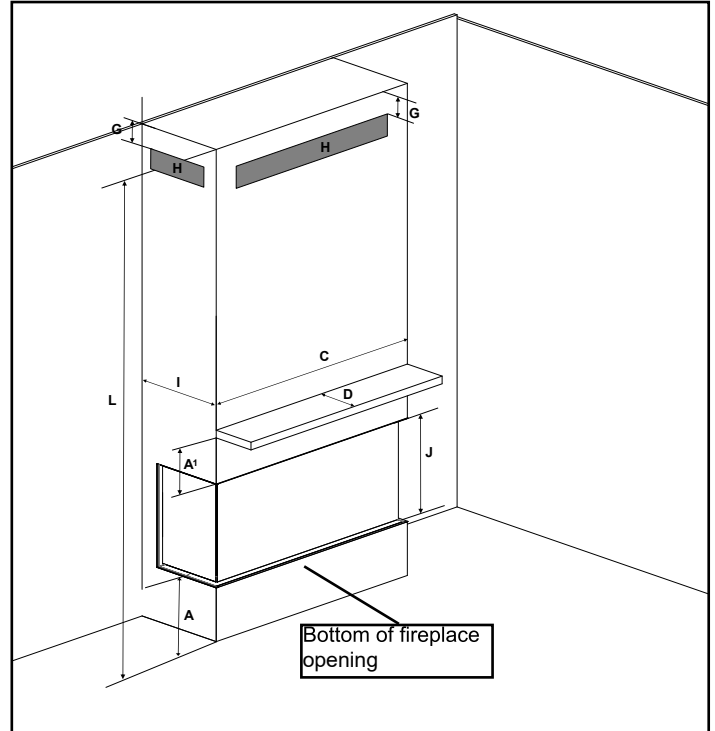
Floor to ceiling with top opening



Full framing with vents in front/2 sides or top



Full framing with low vents in front or 2 sides



Full framing with vents in front or 2 sides

## Clearances - Corner Install

**The clearances listed below are minimum distances unless otherwise stated.**

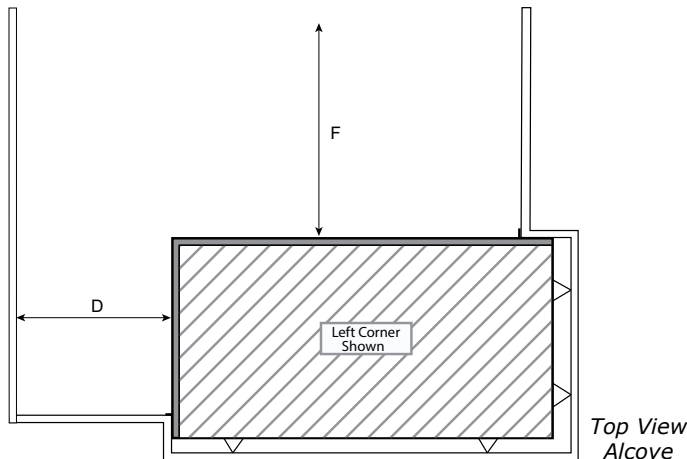
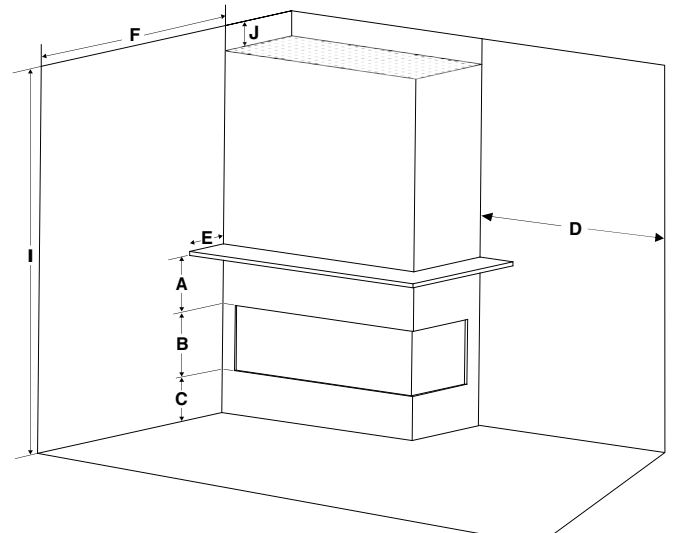
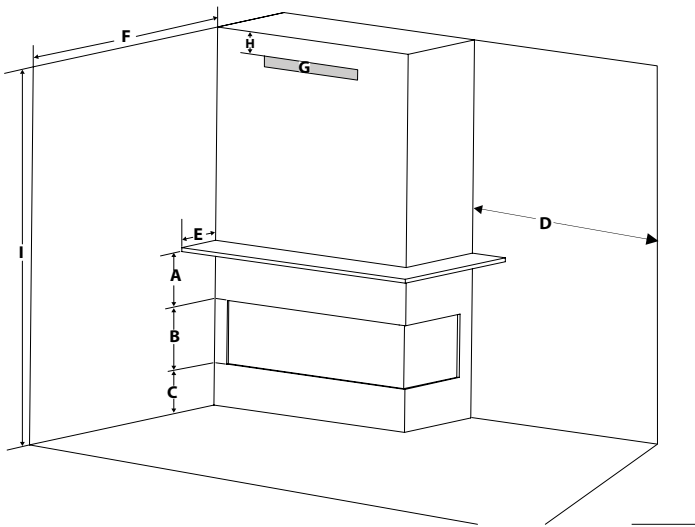
A major cause of chimney related fires is failure to maintain required clearances (air space) to combustible materials. It is of the greatest importance that this fireplace and vent system be installed only in accordance with these instructions.

Note: Left handed corner shown in illustration. Clearances will be the same for the right hand side.

Clearance: single sided	Dimension	Measured From:
A: Mantel Height (min.)	**	Top of Fireplace Opening
B: Opening Height	457 mm	Bottom/Top of Fireplace Opening
C: From Floor (min.)	260 mm	Bottom of Fireplace Opening
D: Sidewall (on one side) min.	991 mm	Side of Fireplace Opening
E: Mantel Depth (max.)	**	Front of Fireplace Opening
F: Alcove Depth	889 mm	Front of Fireplace Opening
G: Convection Air Outlet	1161 square cm	
H: Convection Air Outlet Opening Offset	50 mm	Max. offset from top of chase enclosure
I: Chase Enclosure (Min.)	2064 mm	From Base of Unit/Floor to top of enclosure
J: Convection Air Outlet Opening Offset (min.)	50 mm	To top of ceiling
Hearth	0"	No hearth required

\*\* See mantel clearances chart in this manual.

Flue Clearances to Combustibles	
Horizontal - Top	76 mm
Horizontal - Side	51 mm
Horizontal - Bottom	51 mm
Vertical	51 mm
Passing through wall/floor/ceiling - when firestop is used.	38 mm

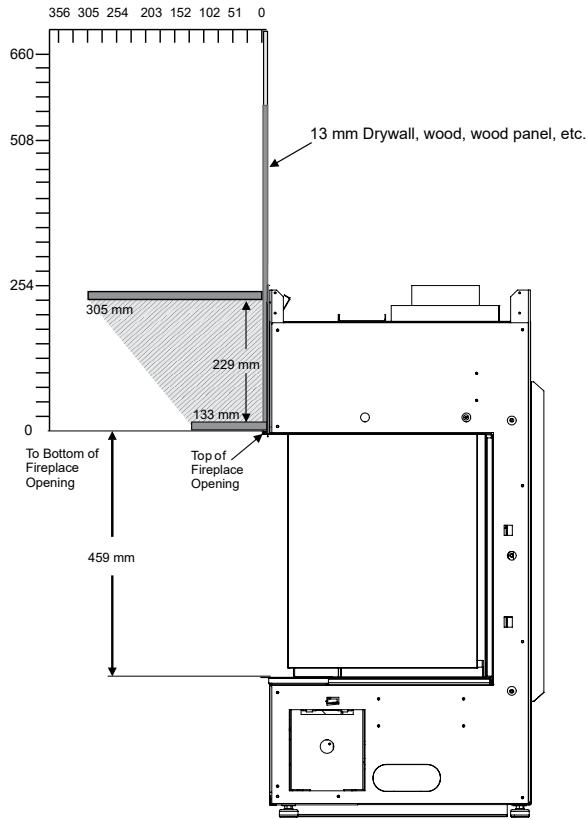


**Caution Requirements**  
The top, back and sides of the fireplace are defined by standoffs. The metal ends of the standoff may **NOT** be recessed into combustible construction.

**WARNING**  
**Fire hazard is an extreme risk** if these clearances (air space) to combustible materials are not adhered to. It is of greatest importance that this fireplace and vent system be installed only in accordance with these instructions.

## Mantel Clearances

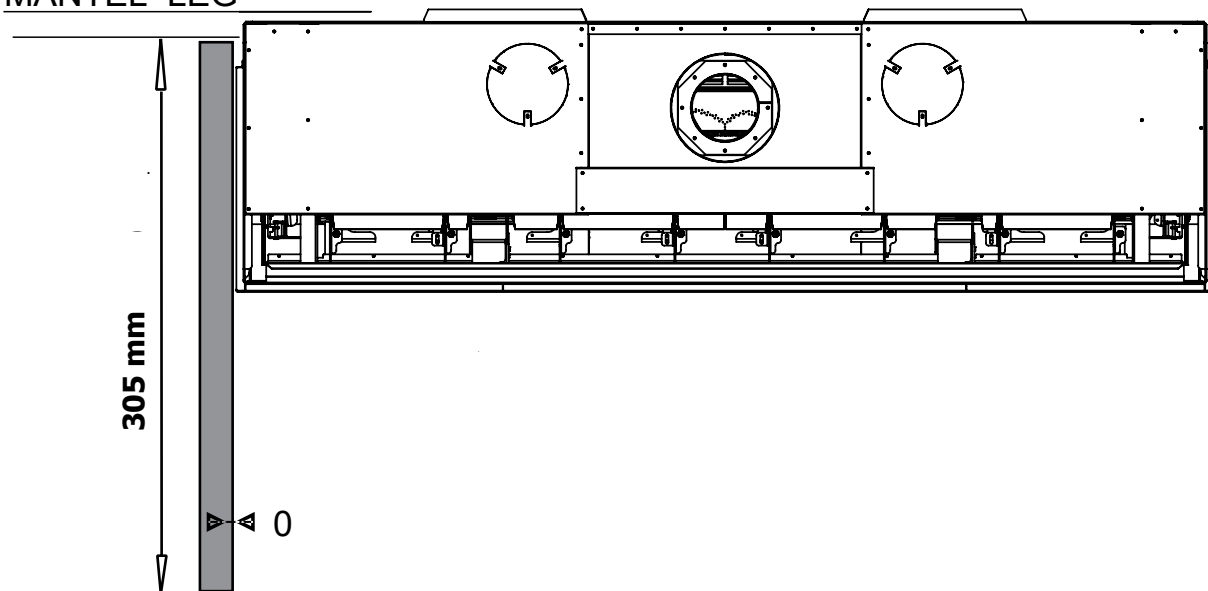
Combustible mantel clearances from top of front facing are shown in the diagram on the right.



## Mantel Leg Clearances

Combustible mantel leg clearances as per diagram:

### MANTEL LEG



## Framing Dimensions - Bay Install

NOTE: Framing may be constructed of combustible material and does not require steel studs.

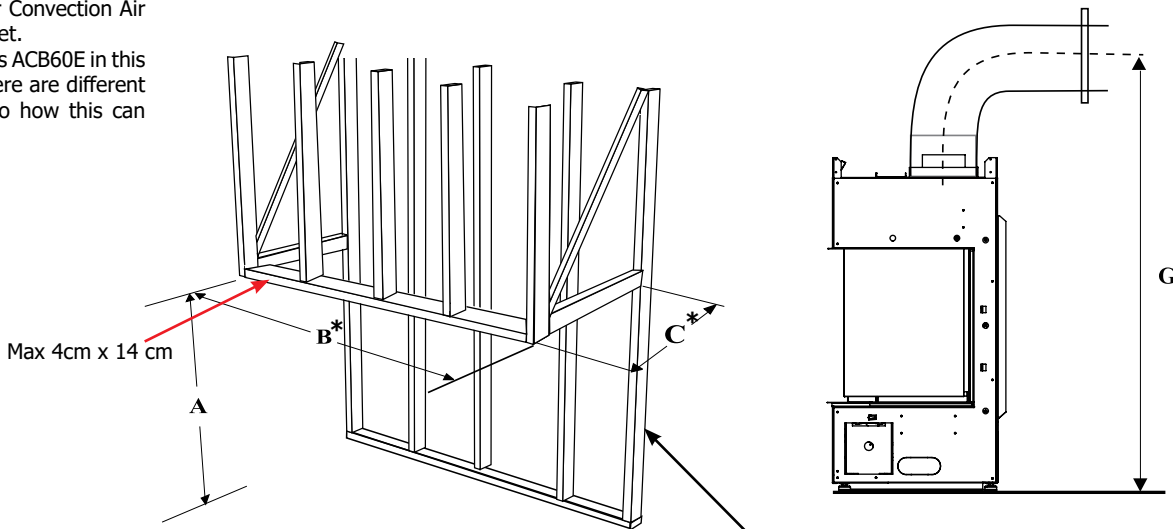
Framing Dimensions	Description	ACB60E
A	Framing Height	1137 mm
B*	Framing Width	1810 mm
C*	Framing Depth	516 mm
D	Minimum Height to Combustibles	2038 mm
G	Vent Centerline Height	1478 mm
**	Gas Connection Opening Height	See gas connection location in this manual
**	Gas Connection Height	See gas connection location in this manual
**	Gas Connection Inset-Centre Opening	See gas connection location in this manual

\*\* See manual for alternate Gas/ Electrical connection options

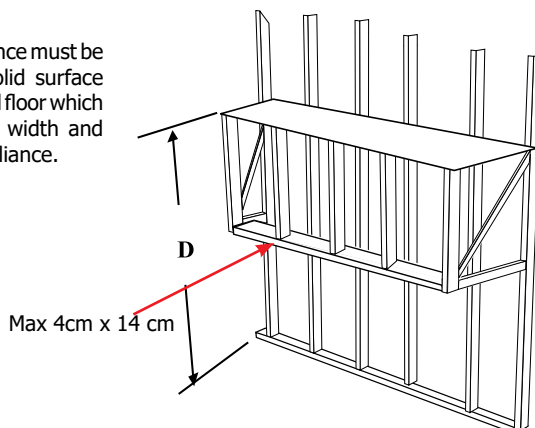
Ensure that the wood base that the appliance will sit on is strong enough to support the full weight of this appliance. The overall weight of this appliance is 208 kg (shipping weight).

Note: A combined minimum of 1161 square centimeters of open area is required for the convection air outlet to cool the enclosure. Ensure clearances for Convection Air Outlets are met.

See clearances ACB60E in this manual as there are different methods as to how this can be achieved.



Note: This appliance must be installed on a solid surface such as a plywood floor which must be the full width and depth of the appliance.



**Note: Unit must be installed onto a solid backwall - do not install directly onto studs.**

**\*C**  
**Note:** The framing depth does not take into account plasterboard/wood or similar materials against the back wall. The framing depth will need to change based on the thickness of the material (example: 516 mm framing depth + 13 mm plasterboard = 529 mm).

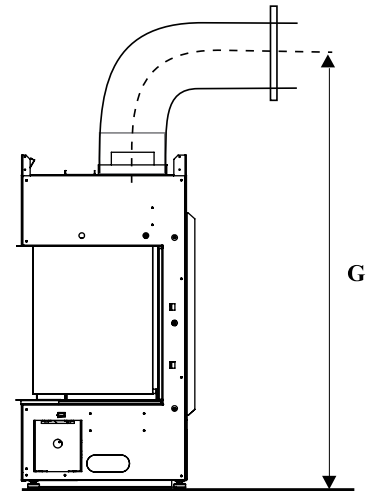
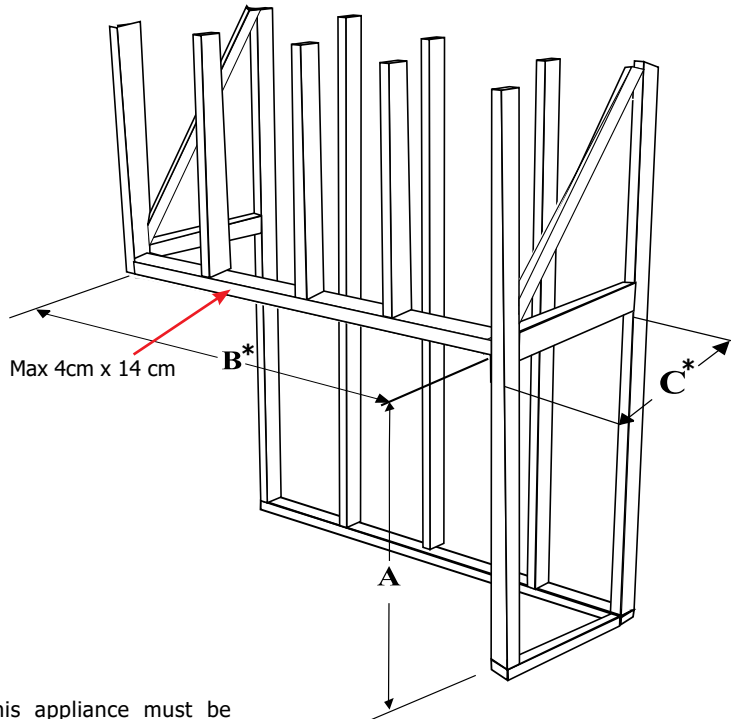
## Framing Dimensions Corner Kit - Corner Install (Right Corner)

NOTE: Framing may be constructed of combustible material and does not require steel studs.

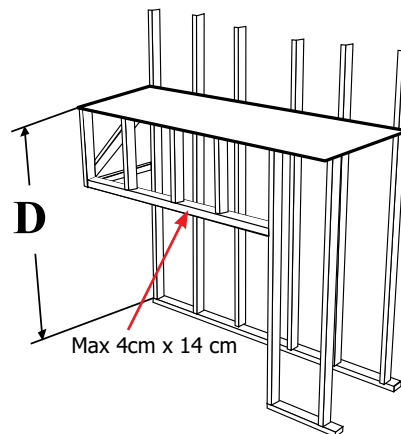
Framing Dimensions	Description	Corner Kit
A	Framing Height	1137 mm
B*	Framing Width	1810 mm
C*	Framing Depth	516 mm
D	Unit Base to Top Enclosure (Min.)	2038 mm
G	Vent Centerline Height	1478 mm

Note: A combined minimum of 1161 square centimeters of open area is required for the convection air outlet to cool the enclosure. Ensure clearances for Convection Air Outlets are met. See clearances ACB60E in this manual as there are different methods as to how this can be achieved.

NOTE: Unit cannot be load-bearing. All finishing materials must be supported by the framing.



Note: This appliance must be installed on a level and solid surface such as a plywood floor which must be the full width and depth of the appliance.



**Note: Unit must be installed onto a solid back wall - do not install directly onto studs.**

**\*Note:** The framing width (B) and framing depth (C) does not take into account plasterboard/wood or similar materials against the back wall. The framing width/depth will need to change based on the thickness of the material  
 Example B : 1810 mm framing width + 13 mm plasterboard = 1823 mm.  
 Example C : 516 mm framing depth + 13 mm plasterboard = 529 mm.

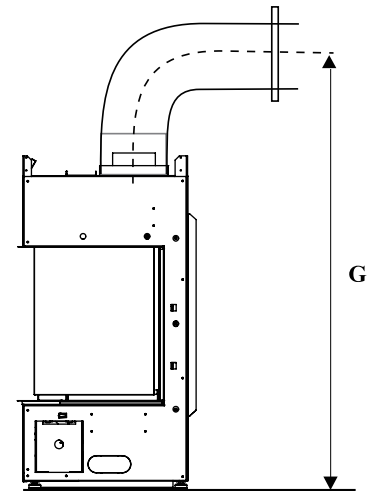
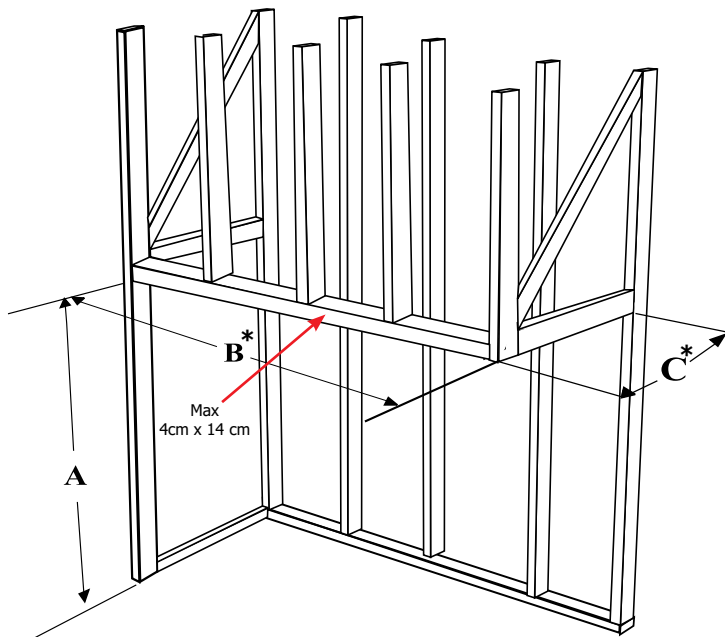
## Framing Dimensions Corner Kit - Corner Install (Left Corner)

NOTE: Framing may be constructed of combustible material and does not require steel studs.

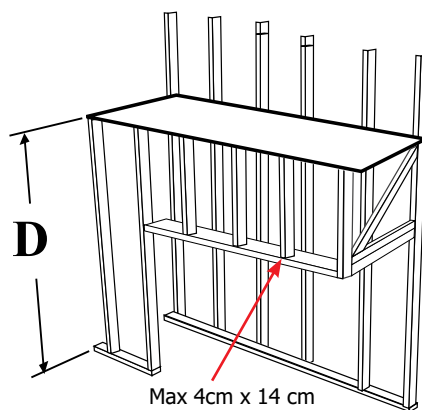
Framing Dimensions	Description	Corner Kit
A	Framing Height	1137 mm
B*	Framing Width	1810 mm
C*	Framing Depth	516 mm
D	Unit Base to Top Enclosure (Min.)	2038 mm
G	Vent Centerline Height	1478 mm

Note: A combined minimum of 1161 square centimeters of open area is required for the convection air outlet to cool the enclosure. Ensure clearances for Convection Air Outlets are met. See clearances ACB60E in this manual as there are different methods as to how this can be achieved.

NOTE: Unit cannot be load-bearing. All finishing materials must be supported by the framing.



Note: This appliance must be installed on a level and solid surface such as a plywood floor which must be the full width and depth of the appliance.

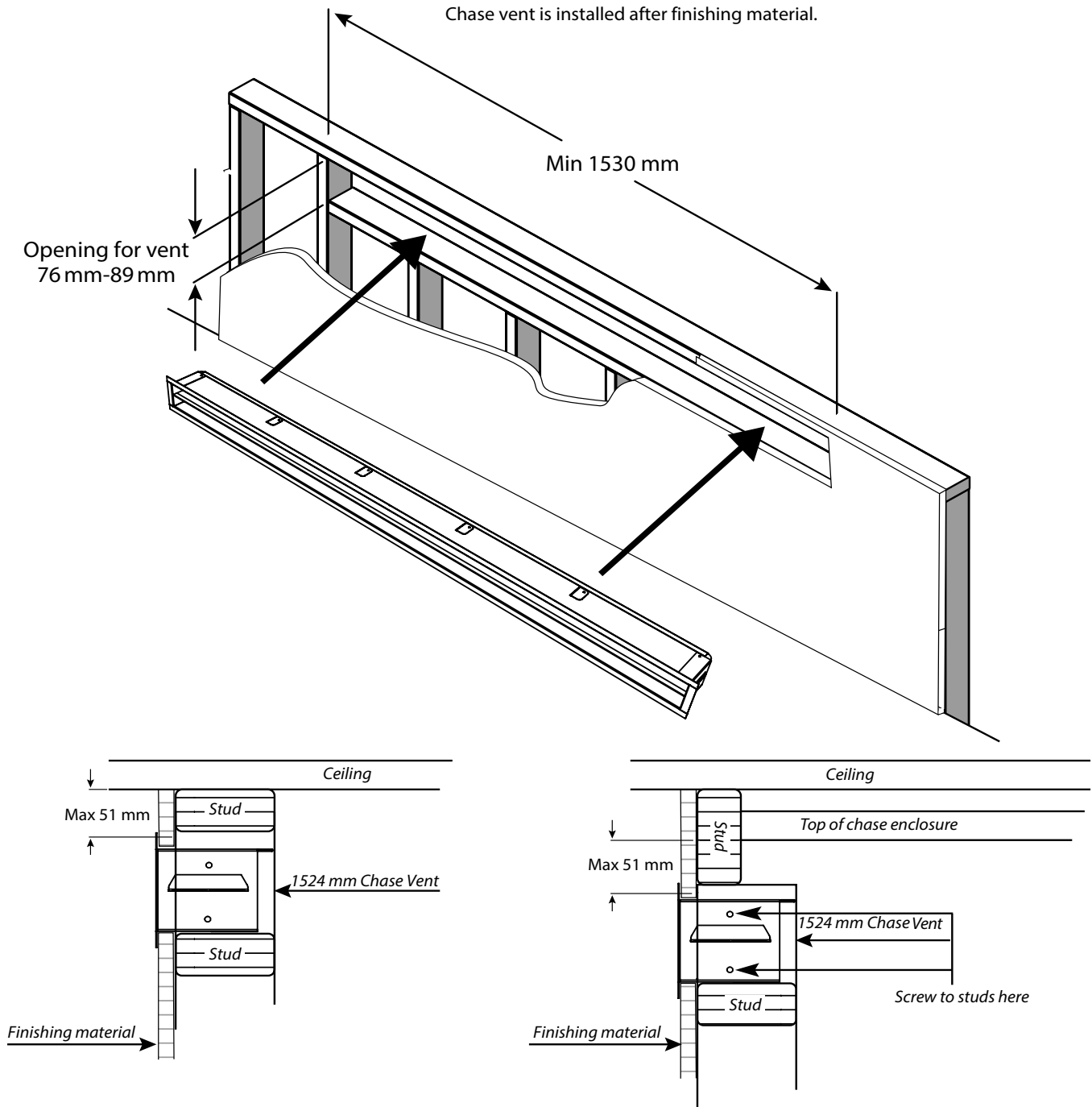


**Note: Unit must be installed onto a solid back wall - do not install directly onto studs.**

**\*Note:** The framing width (B) and framing depth (C) does not take into account plasterboard/wood or similar materials against the back wall. The framing width/depth will need to change based on the thickness of the material  
 Example B : 1810 mm framing width + 13 mm plasterboard = 1823 mm.  
 Example C : 516 mm framing depth + 13 mm plasterboard = 529 mm.

## Chase Vent Installation (White Front)

Framed opening must be between 76 mm and 89 mm tall and at least 1530 mm wide to accommodate the chase vent. The top of the chase vent opening must be 51 mm or less from the top of the chase enclosure.



## Venting Introduction

The ACB60E uses the "balanced flue" technology Co-Axial system. The inner liner vents products of combustion to the outside while the outer liner draws outside combustion air into the combustion chamber thereby eliminating the need to use heated room air for combustion and losing warm room air up the chimney.

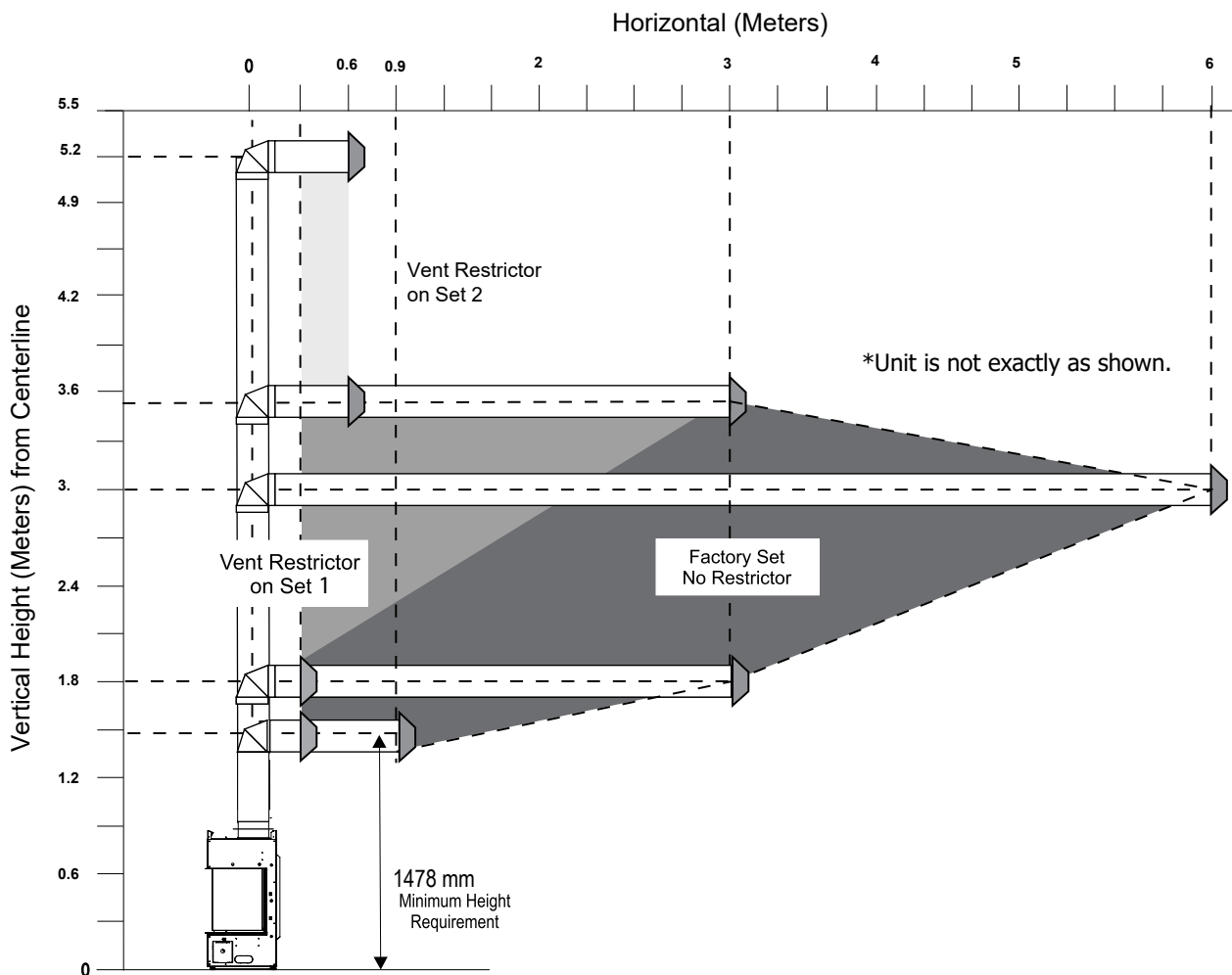
**Note:** These flue pipes must not be connected to any other appliance.

The gas appliance and vent system must be vented directly to the outside of the building, and never be attached to a chimney serving a separate solid fuel or gas burning appliance. Each direct vent gas appliance must use its own separate vent system. Common vent systems are prohibited.

## Venting Arrangement for Horizontal Terminations

The diagram shows all allowable combinations of vertical runs with horizontal terminations, using one 90° (two 45° elbows equal one 90° elbow).

**Note:** Must use optional rigid pipe adapter (Part# 770-994) when using Rigid Pipe Venting Systems)



### VENT RESTRICTOR SETTING:

#### Vent restrictor factory set at Set 0.

Refer to the "Vent Restrictor Position" section for details on how to change the vent restrictor from the factory setting of Set 0 to Set 2 if required.

**Note:** For horizontal terminations the Regency Direct Vent Flex System may be used for installations with a maximum continuous vent length of up to 3 meters. If longer runs are required, rigid pipe must be used.

- Maintain clearances to combustibles as listed in "Clearances" section
- Horizontal vent must be supported every 0.91 meters.
- Firestops are required at each floor level and whenever passing through a wall.
- A vent guard should be used whenever the termination is lower than the specified minimum or as per local codes.



## Horizontal Terminations - Flex Vent 127 mm x 203 mm

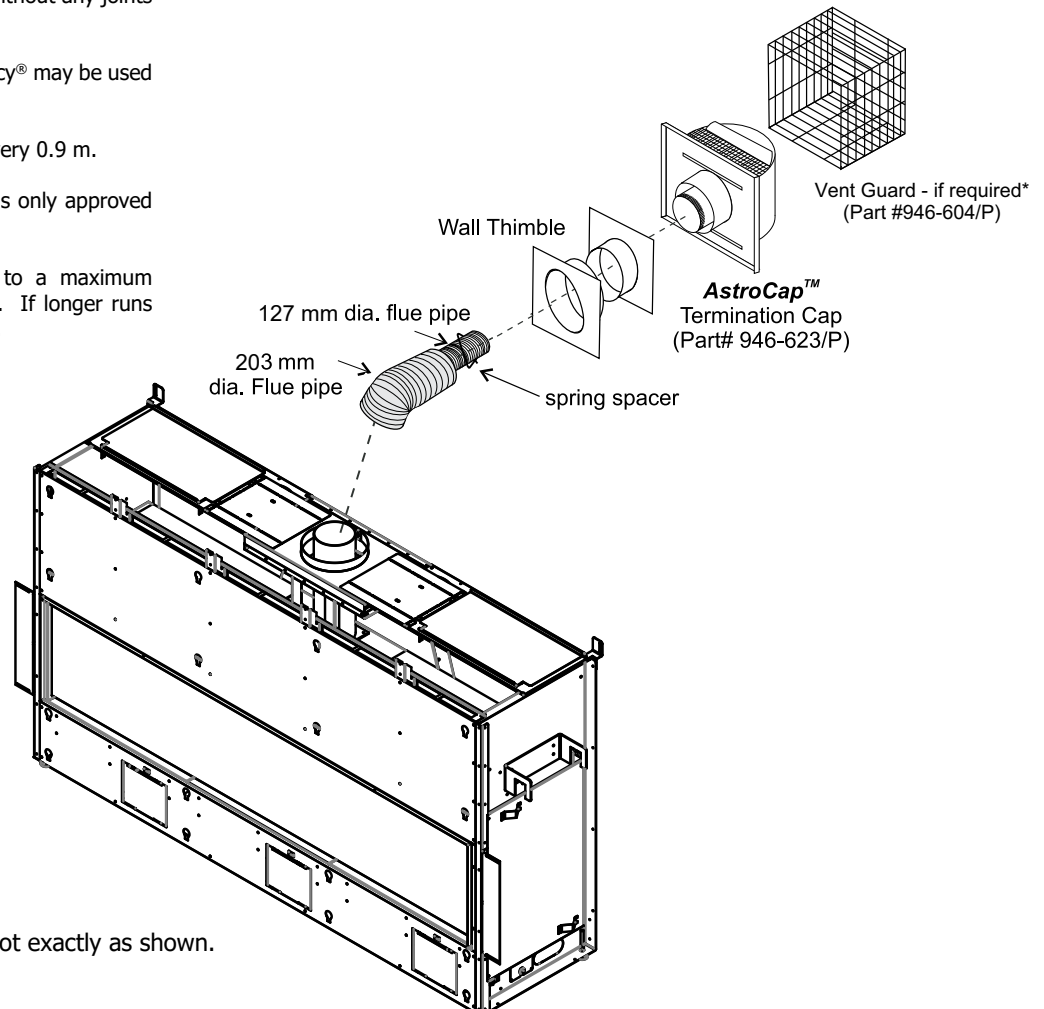
These venting systems, in combination with the ACB60E Direct Vent Gas Fireplace, has been tested and listed as a direct vent heater system by Intertek. The location of the termination cap must conform to the requirements in the Vent Terminal Locations diagram in "Exterior Vent Termination Locations" section.

**Regency® Direct Vent (Flex) System Termination Kits include all the parts needed to install the ACB60E using a flexible vent.**

FPI Kit #	Length	Contains:
#946-615	1.2 m	1) 203 mm flexible liner (Kit length) 2) 127 mm flexible liner (Kit length) 3) spring spacers
#946-618	1.8 m	4) thimble 5) AstroCap XL termination cap 6) screws
#946-616	3 m	7) tube of Mill Pac 8) plated screws 9) S.S. screws #8 x 1-1/2" drill point 10) vinyl siding standoff

### Notes:

- Liner sections should be continuous without any joints or seams.
- Only Flex pipe purchased from Regency® may be used for Flex installations
- Horizontal vent must be supported every 0.9 m.
- Regency® Direct Vent System (Flex) is only approved for horizontal terminations.
- Flex system can only be used up to a maximum continuous vent length of up to 3 m. If longer runs are required, rigid pipe must be used.



## Horizontal Terminations - Rigid Pipe 127 mm x 203 mm

The minimum components required for a basic horizontal termination are:

- 1 Horizontal Termination Cap
- 1 Rigid Pipe Adaptor (770-994)
- 1 Wall Thimble
- 1 Length of pipe to suit wall thickness (see chart)

Wall thickness is measured from the back standoffs to the inside mounting surface of termination cap. For siding other than vinyl furring strips may be used, instead of the vinyl siding standoff, to create a level surface to mount the vent terminal. The Terminal must not be recessed into siding. Measure the wall thickness including furring strips.

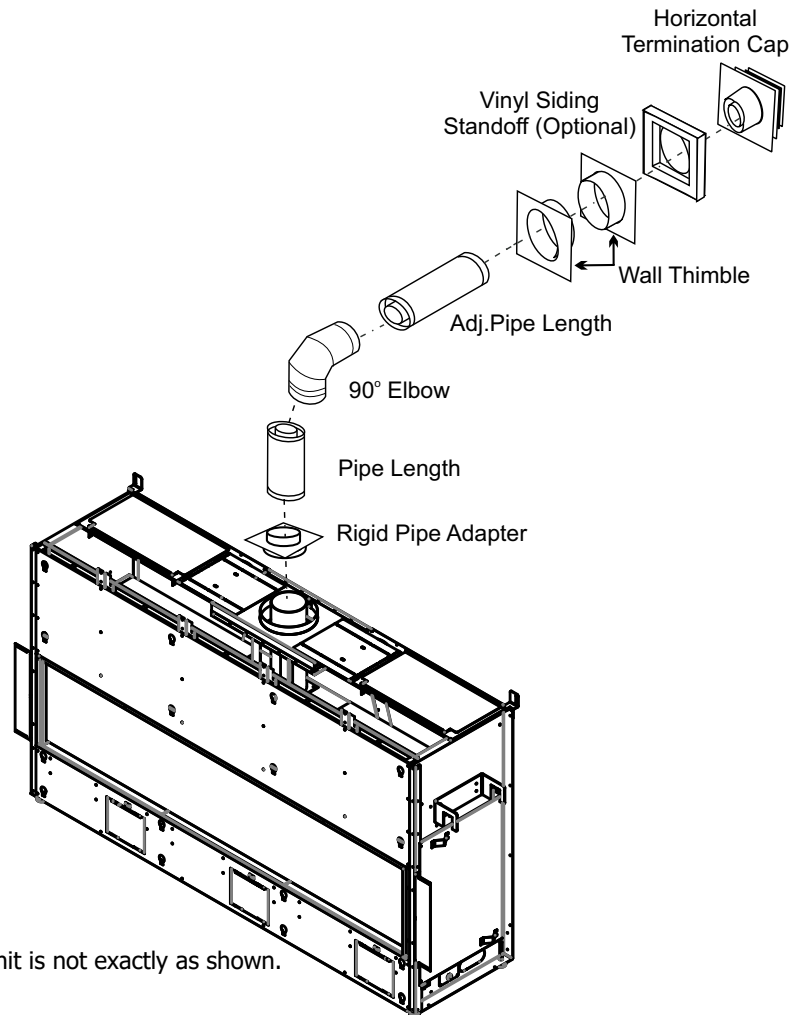
If a Vinyl Siding Standoff is required (it must be used with vinyl siding), measure to outside surface of wall without siding and add 51 mm.

Flat Wall Installation	
Wall Thickness	Vent Length Required
102 mm - 140 mm	152 mm
178 mm - 216 mm	229 mm
246 mm - 292 mm	305 mm
229 mm - 368 mm	279 mm - 371 mm Adj. Pipe
381 mm - 597 mm	432 mm - 610 mm Adj. Pipe

**WARNING:**

Do not combine venting components from different venting systems.

However use of the the AstroCap™ and FPI Riser is acceptable with all systems.



\*Unit is not exactly as shown.

**When using Rigid Vent other than Simpson Dura-Vent, 3 screws must be used to secure rigid pipe to adaptor.**

## Horizontal Terminations - Rigid/Flex Pipe 127 mm x 203 mm

The diagrams below show examples of horizontal termination arrangements using one, two, or three 90° elbows (two 45° elbows equal one 90° elbow).

1. A maximum of three 90° elbows are permitted.
  2. Minimum distance between elbows is 1 ft. (305 mm).
- Maintain clearances to combustibles as listed in the "Clearances" section.
  - Horizontal vent must be supported every 0.9 m feet.
  - Firestops are required at each floor level and whenever passing through a wall.
  - Must use optional rigid pipe adaptor (Part# 770-994) when using rigid pipe vent systems.
  - A vent guard should be used whenever the termination is lower than the specified minimum or as per local codes.
  - Flex system can only be used up to 3 m - otherwise rigid venting must be used.

### Horizontal Venting with Two 90° Elbows

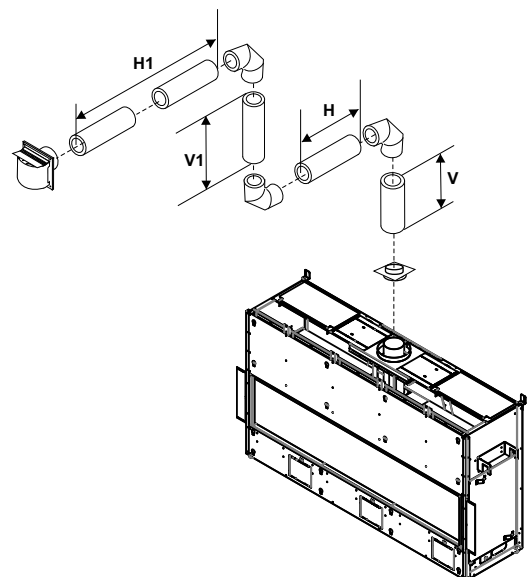
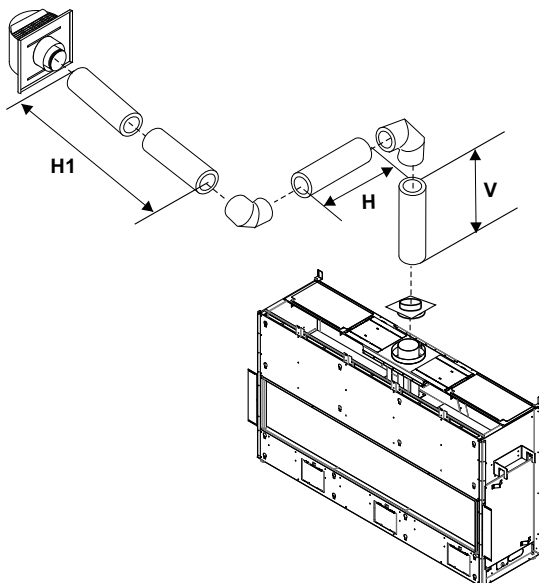
One 90° elbow = Two 45° elbows.

Option	V	H + H1	With these options, maximum total pipe length is 9.1 m with maximum of 2.4 m total horizontal.  <b>Please note minimum 0.3 m between 90° elbows is required.</b>
A)	0.3 m Min.	0.6 m Max.	
B)	0.6 m Min.	1.2 m Max.	
C)	0.9 m Min.	1.5 m Max.	
D)	1.2 m Min.	1.8 m Max.	
E)	1.5 m Min.	2.1 m Max.	
F)	1.8 m Min.	2.4 m Max.	
Restrictor Set 0 - Factory Setting			

### Horizontal Venting with Three 90° Elbows

One 90° elbow = Two 45° elbows.

Option	V	H	V + V1	H + H1	With these options, max. total pipe length is 9.1 m with max. 2.7 m total horizontal.  <b>Please note min. 0.3 m between 90° elbows is required.</b>
A)	0.3 m Min.	0.3 m Max.	0.6 m Min.	0.6 m Max.	
B)	0.3 m Min.	0.6 m Max.	0.9 m Min.	0.9 m Max.	
C)	0.6 m Min.	0.6 m Max.	1.5 m Min.	1.2 m Max.	
D)	0.9 m Min.	0.6 m Max.	2.1 m Min.	1.5 m Max.	
E)	1.2 m Min.	0.9 m Max.	2.7 m Min.	1.8 m Max.	
F)	1.5 m Min.	1.2 m Max.	3 m Min.	2.1 m Max.	
G)	1.8 m Min.	1.5 m Max.	3.3 m Min.	2.4 m Max.	
H)	2.1 m Min.	1.8 m Max.	3.6 m Min.	2.7 m Max.	
Restrictor Set 0 - Factory Setting					



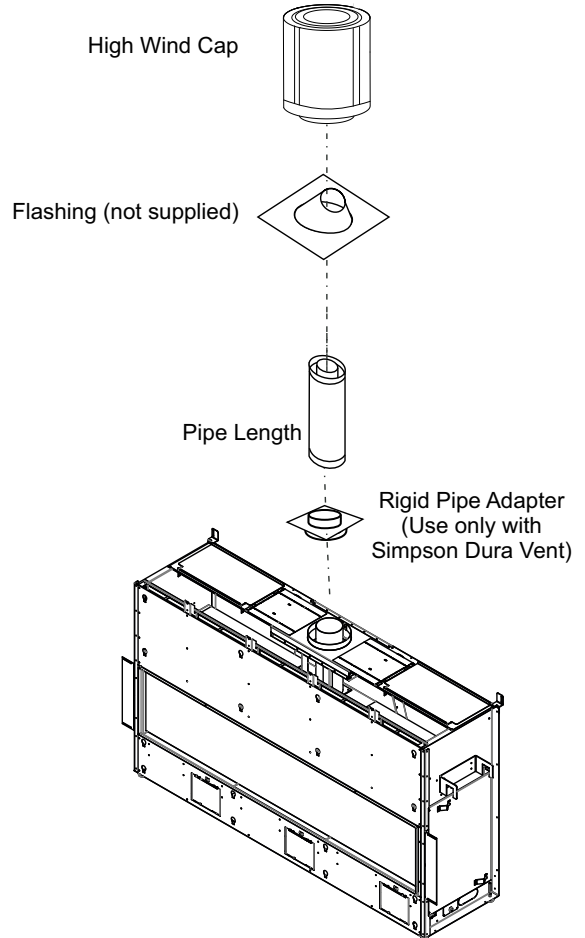
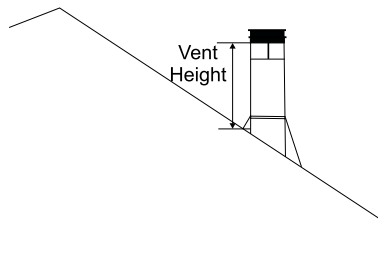
## Vertical Terminations - Rigid/Flex Pipe 127 mm x 203 mm

The minimum components required for a basic vertical termination are:

- 1 Vertical Termination Cap
- 1 Rigid Pipe Adaptor (*Dura Vent Only*)
- 1 Lengths of pipe to adequately penetrate roof.
- 1 Flashing (as required per AS/NZS 5601-2013, to be supplied by installer.)

Wall thickness is measured from the back standoffs to the inside mounting surface of the termination cap. For siding other than vinyl, furring strips may be used instead of the vinyl siding standoff to create a level surface to mount the vent terminal. The terminal must not be recessed into the wall cladding. Measure the wall thickness including the wall cladding.

Roof Pitch	Meters
	flat to 7/12
over 7/12 to 8/12	0.61
over 8/12 to 9/12	0.61
over 9/12 to 10/12	0.76
over 10/12 to 11/12	0.99
over 11/12 to 12/12	1.22
over 12/12 to 14/12	1.52
over 14/12 to 16/12	1.83
over 16/12 to 18/12	2.13
over 18/12 to 20/12	2.29
over 20/12 to 21/12	2.44



\*Unit is not exactly as shown.

### WARNING:

Do not combine venting components from different venting systems.  
However use of the the AstroCap™ and FPI Riser is acceptable with all systems.

**When using Rigid Vent other than Simpson Dura-Vent, 3 screws must be used to secure rigid pipe to adaptor.**

## Vertical Terminations - Rigid/Flex Pipe 127 mm x 203 mm

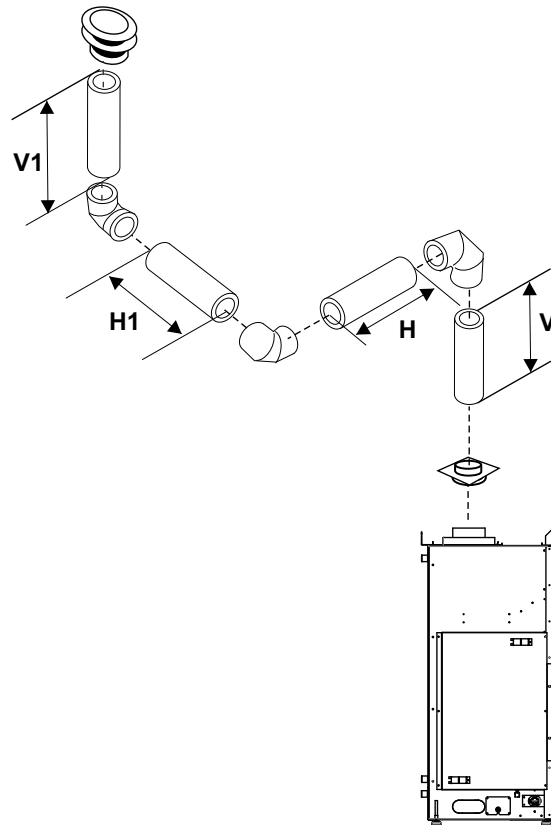
- Two 45° elbows equal to one 90° elbow. Maximum of six 45° elbows allowed.
- Vent must be supported at offsets.
- Minimum distance between elbows is 0.3 m.
- Maintain clearances to combustibles as listed in the "Clearances" section.
- Horizontal vent must be supported every 0.9 m feet.
- Firestops are required at each floor level and whenever passing through a wall.
- Must use optional rigid pipe adaptor (Part# 770-994 when using rigid pipe vent systems)

### Vertical Venting with Three (3) 90° Elbows

**One 90° elbow = Two 45° elbows.**

Option	V	H + H1	V + V1	With these options, max. total pipe length is 9.1 m with max. 2.4 m total horizontal.  <b>Please note min. 0.3 m between 90° elbows is required.</b>
A)	0.3 m Min.	0.6 m Max	0.9 m Min.	
B)	0.6 m Min.	0.9 m Max	1.2 m Min.	
C)	0.9 m Min.	1.2 m Max	1.8 m Min.	
D)	1.2 m Min.	1.5 m Max	2.1 m Min.	
E)	1.5 m Min.	1.8 m Max	2.4 m Min.	
F)	1.8 m Min.	2.1 m Max	2.7 m Min.	
G)	2.1 m Min.	2.4 m Max	3 m Min.	

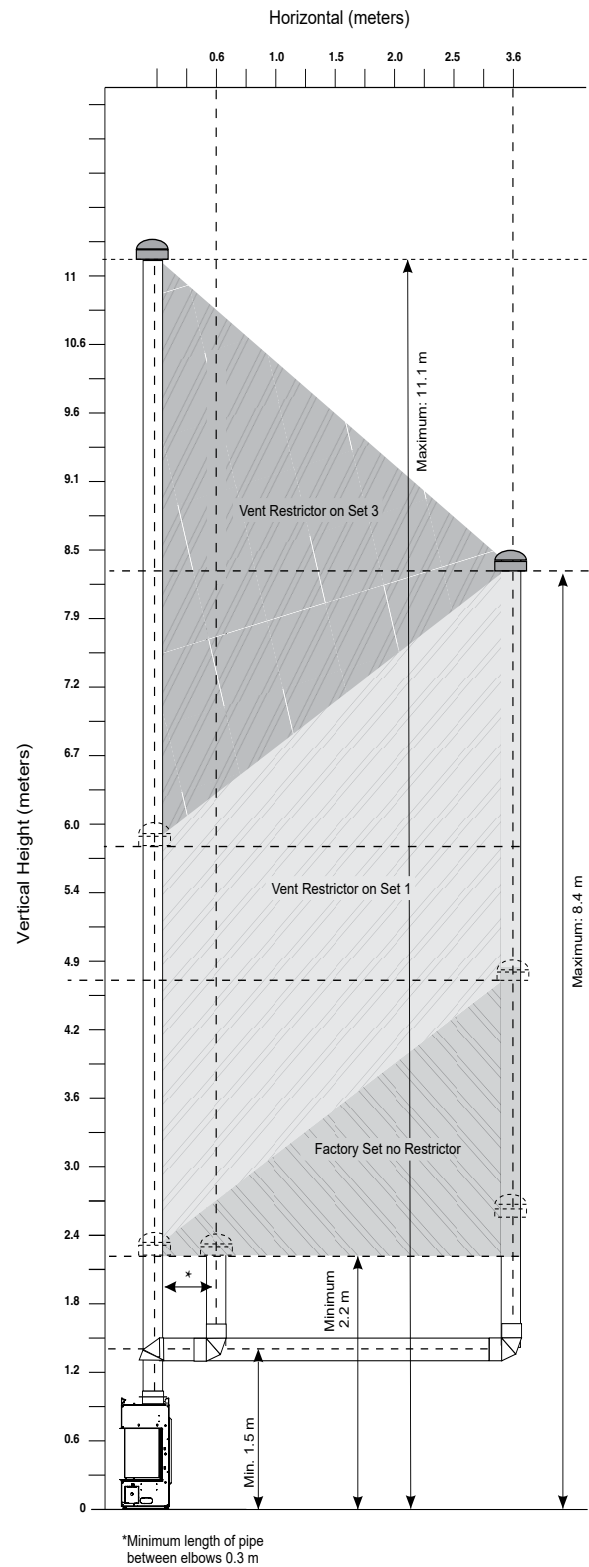
*Lengths do not include elbow indicated  
Restrictor Set 0 - Factory Setting*



## Venting Arrangement With Straight Vertical Venting and/or With a Max. of Two 90° Elbows (1 - 90° = 2 - 45°)

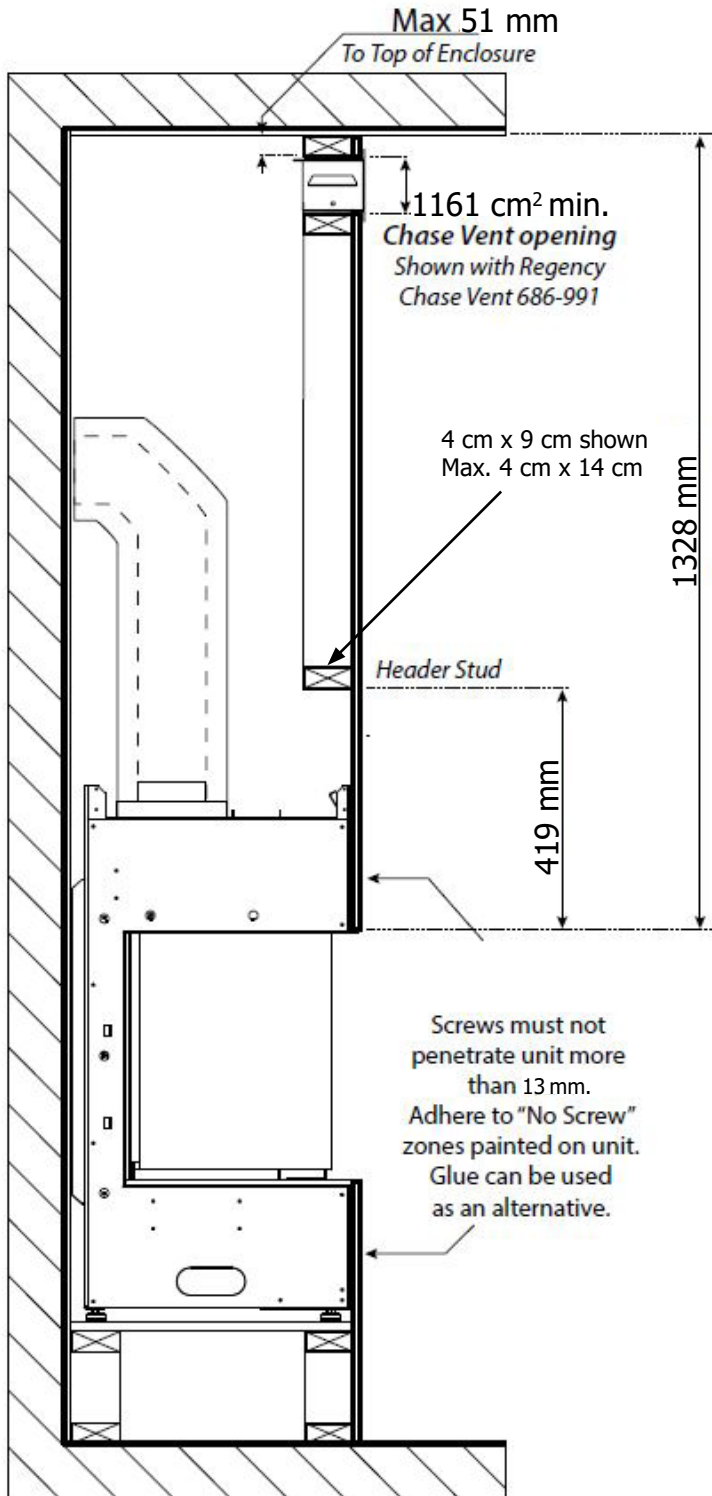
The shaded area in the diagram shows all allowable combinations of straight vertical and offset to vertical **terminations**, using two 90° elbows, with Rigid/Flex Pipe Venting Systems.

- Two 45° elbows equal to one 90° elbow.
- Vent must be supported at offsets.
- Minimum distance between elbows is 0.3 m.
- Maintain clearances to combustibles as listed in the "Clearances" section.
- Horizontal vent must be supported every 0.9 m.
- Firestops are required at each floor level and whenever passing through a wall.
- Must use optional rigid pipe adaptor (Part# 770-994) when using rigid pipe vent systems.
- Refer to the "Vent Restrictor Position" section for details on how to change the vent restrictor from the factory setting of Set 0 through to Set 3 if required.

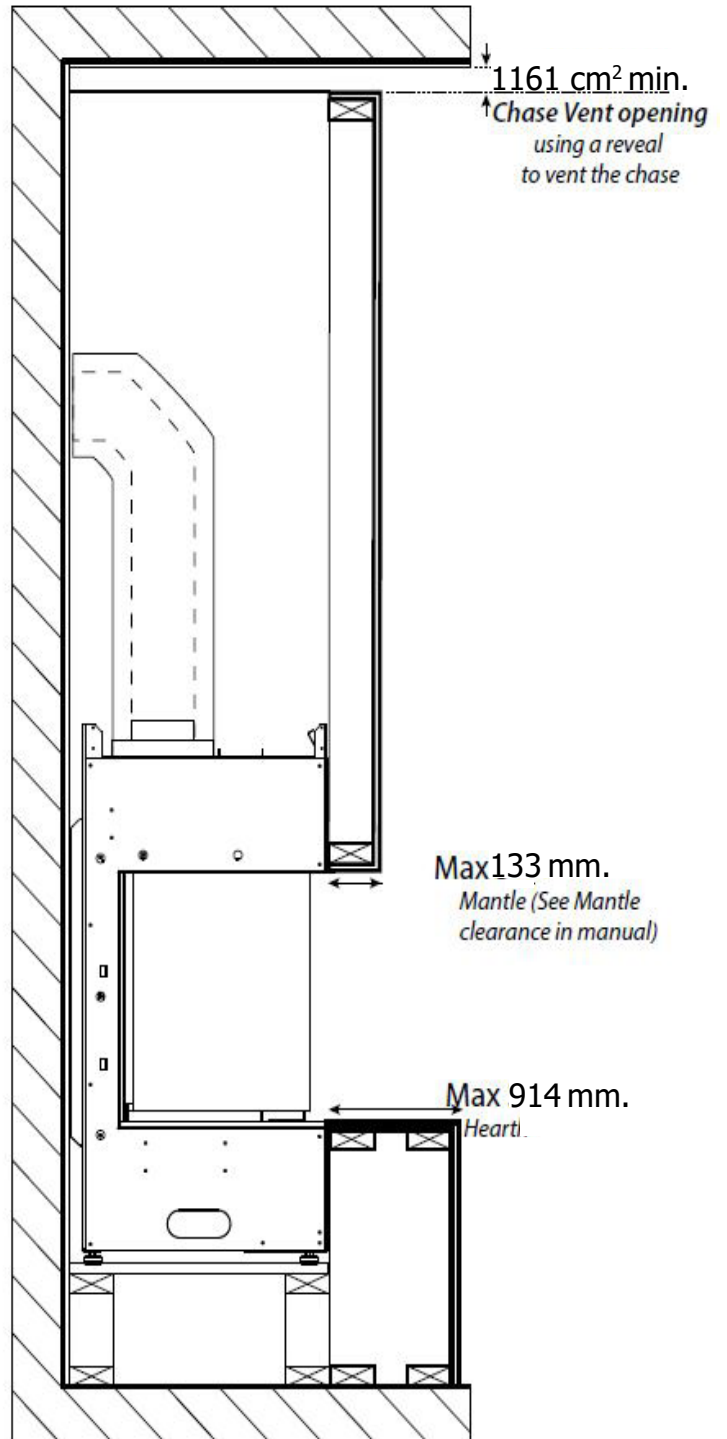


**Typical Installations**

**Flush Install**

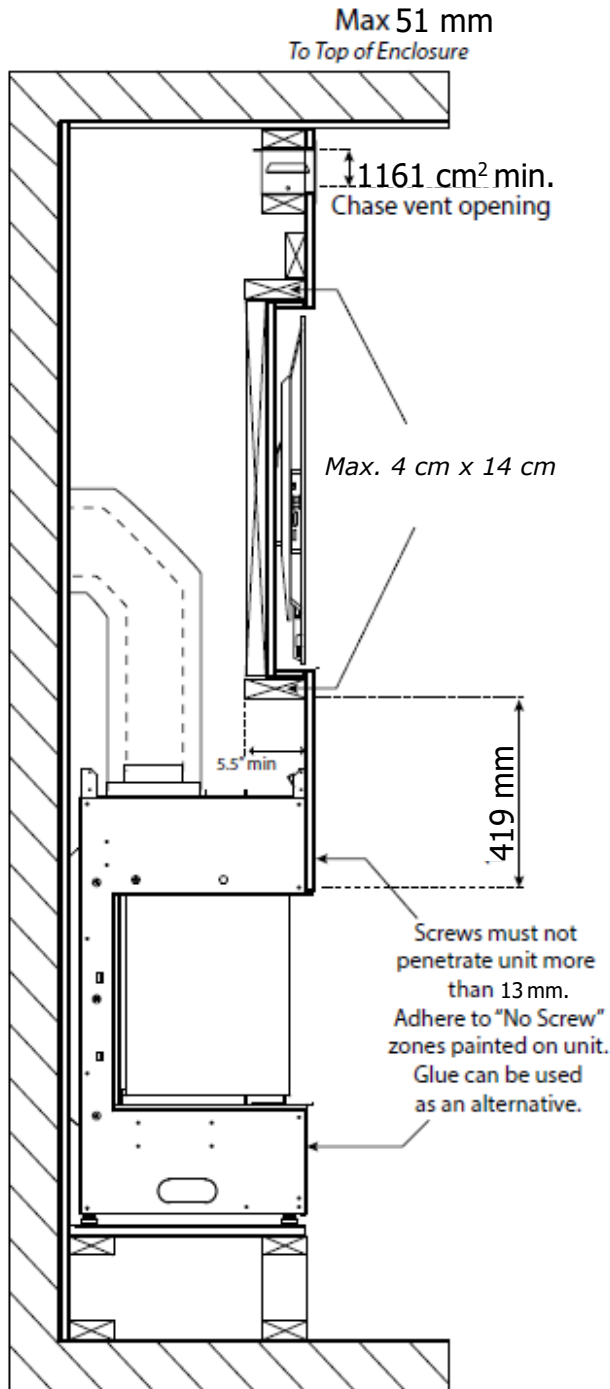


**Recessed Install**

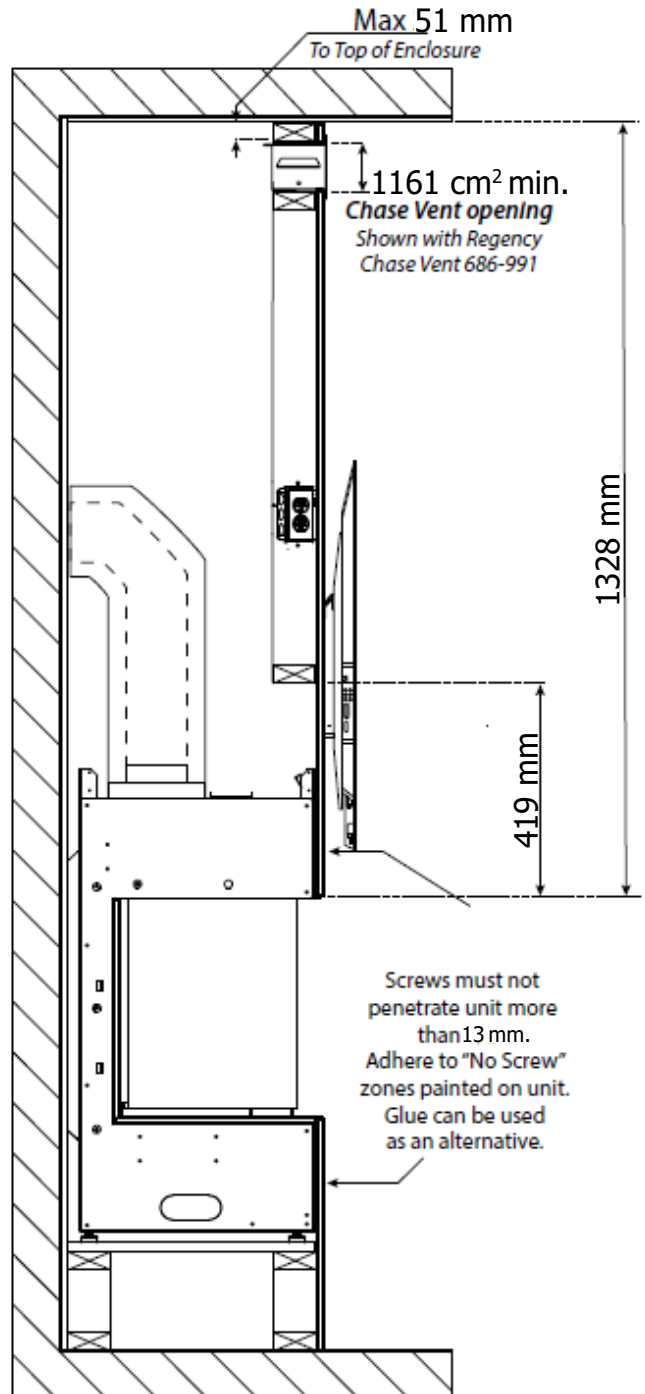


## Typical Installations

### Maximum TV Recess



### Flush TV with Hearth



**Note:** The TV mounting bracket cannot be secured directly to the appliance. It must be secured to framing. The TV depicted in the picture may need to be higher depending on the style of TV mounting bracket used.